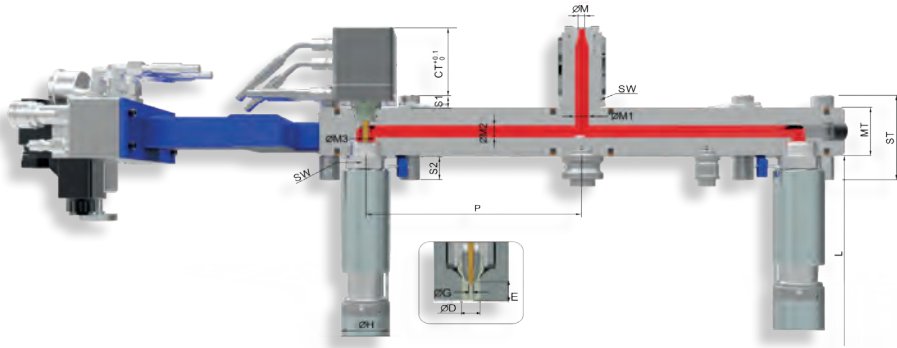


EMS SYSTEM

PREMONTADO PARA GRANDES PIEZAS / PRE WIRED FOR LARGE PARTS

Sistema premontado con inyectoros roscados indicado para proyectos de gran tamaño
Pre assembled system with screw-in nozzles recommended for big size projects



Características / Main features

- ▶ Pre ensamblado y pre cableado antes de la entrega / Pre-wired and pre-assembled before delivery
- ▶ Inyectoros roscados / Screw-in nozzles
- ▶ Accionamiento neumático/hidráulico para sistemas valvulados / Pneumatic/hydraulic drive for valve gate systems delivery

Soluciones / Main solutions

- ▶ Piezas de gran tamaño / Large pieces
- ▶ Instalación fácil y rápida / Quick and easy assembly
- ▶ Mantenimiento sencillo / Simple maintenance



Valve System

Division	EMS25	EMS35	EMS41
Model Number	EMS-25-□□-□□□	EMS-35-□□-□□□	EMS-45-□□-□□□
Injection Volume	Up to 150 gr	Up to 450 gr	Up to 800 gr
CT	70	70	70
ST	105	105	110
MT	55	55	60
∅M	6	8	10
∅M1	10	12	16
∅M2	10	12	16
∅M3	10	12	18/22
S1	20		
S2	30		
SW	26	36	42
E	22.5	25	25
L	70~	80~	90~
∅D	VV	26	25
	VE,VL	14	22
∅G	1.5/2.0/2.5	2.5/3.0/4.0	4.0/5.0/6.0/7.0
∅H	44	54	64

Open System

Division	EMS25	EMS35	EMS41
Model Number	EMS-25-□□-□□□	EMS-35-□□-□□□	EMS-45-□□-□□□
Injection Volume	Up to 200 gr	Up to 800 gr	Up to 1200 gr
CT	Customer's Specification		
ST	105	105	110
MT	55	55	60
∅M	4	6	8
∅M1	10	12	16
∅M2	10	12	16
∅M3	10	12	16
S1	20		
S2	30		
SW	26	36	42
E	20	25	25
L	70~	80~	90~
∅D	CC,CH	18	26
	CE	14	16
	CL,SL	14	16
∅G	CC,CH,CE	1.2/1.5	1.5/2.0/2.5
	CL	1.5/2.5	2.0/3.0/4.0
	SL	1.5/2.0	2.0/3.0
∅H	44	54	64



* Puntas VL & CL tienen longitud extra en L para mecanizado.
 * VL & CL types have an extra length on L for machining.

* Para especificaciones técnicas y Repuestos por favor visite www.runner-tech.com
 * For Technical information and Spare parts please visit www.runner-tech.com