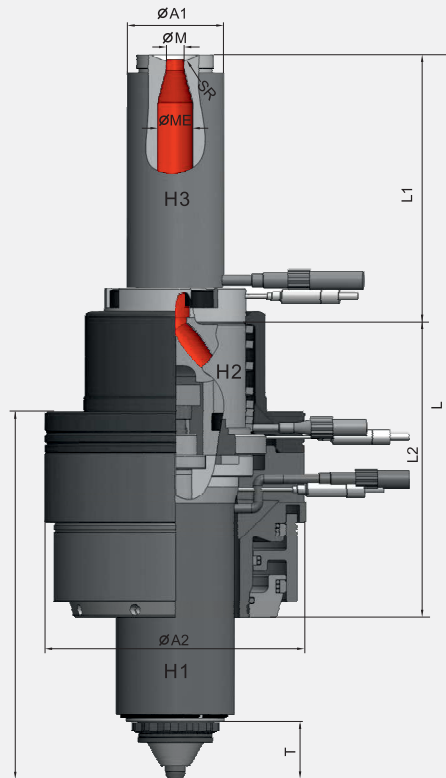


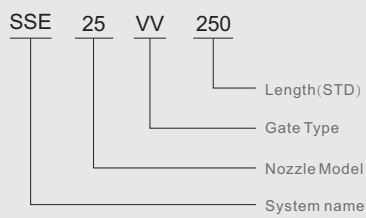
SSE SERIES

SINGLE VALVE NOZZLES

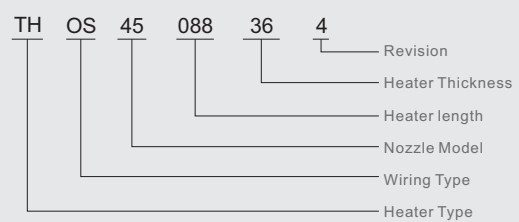
SSE Single Valve Introduction



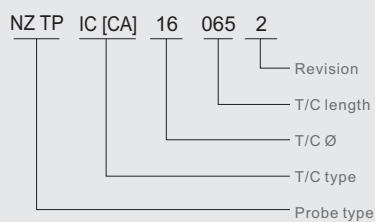
■ How to read Nozzle Model



■ How to read Heater Code



■ How to read Thermocouple Code

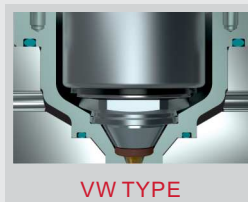


SSE Single Valve Introduction

Division	SSE18	SSE25	SSE35	SSE45
Model Number	SSE 18-□□-□□□□	SSE 25-□□-□□□□	SSE 35-□□-□□□□	SSE 45-□□-□□□□
Injection Volume	UP to 100gr	UP to 240gr	UP to 800gr	Over 1200gr
SR	Ask us	Ask us	Ask us	Ask us
∅A1	34.2	34.2	44.2	44.2
∅A2	105	105	120	120
L	Can be adjusted by request			
L1				
L2	116	116	135	135
T	11	16	21	26
∅M	6	6	8	8
∅M1	5.5	5.5	9	9
∅ME	10	10	16	16
Tube Heater(H1)	TH OS 18□□6□36 4	TH OS 25□□4□36 4	TH OS 35□□5□36 4	TH OS 45□□8□36 4
Thermocouple	NZ TP□□16□□52	NZ TP□□16□□52	NZ TP□□16□□52	NZ TP□□16□□52
Tube Heater(H2)	THOS 45 035 36 4	THOS 45 035 36 4	THOS 65 045 36 4	THOS 65 045 36 4
Thermocouple	NZ TP IC [CA] 16 085 2	NZ TP IC [CA] 16 085 2	NZ TP IC [CA] 16 085 2	NZ TP IC [CA] 16 085 2
Tube Heater(H3)	TH OS 25□□4□36 4		TH OS 35□□5□36 4	
Thermocouple	NZ TP□□16□□52		NZ TP□□16□□52	

SSE Single Valve Introduction

GATING TYPE





Huelva, 19
03440 - Ibi (Alicante) Spain
Tel.: +34 965 553 199
Fax: +34 966 555 168
info@runner-tech.com
www.runner-tech.com